

Permitting Information Sheet



2020 National Electric Code
- Section 625.42

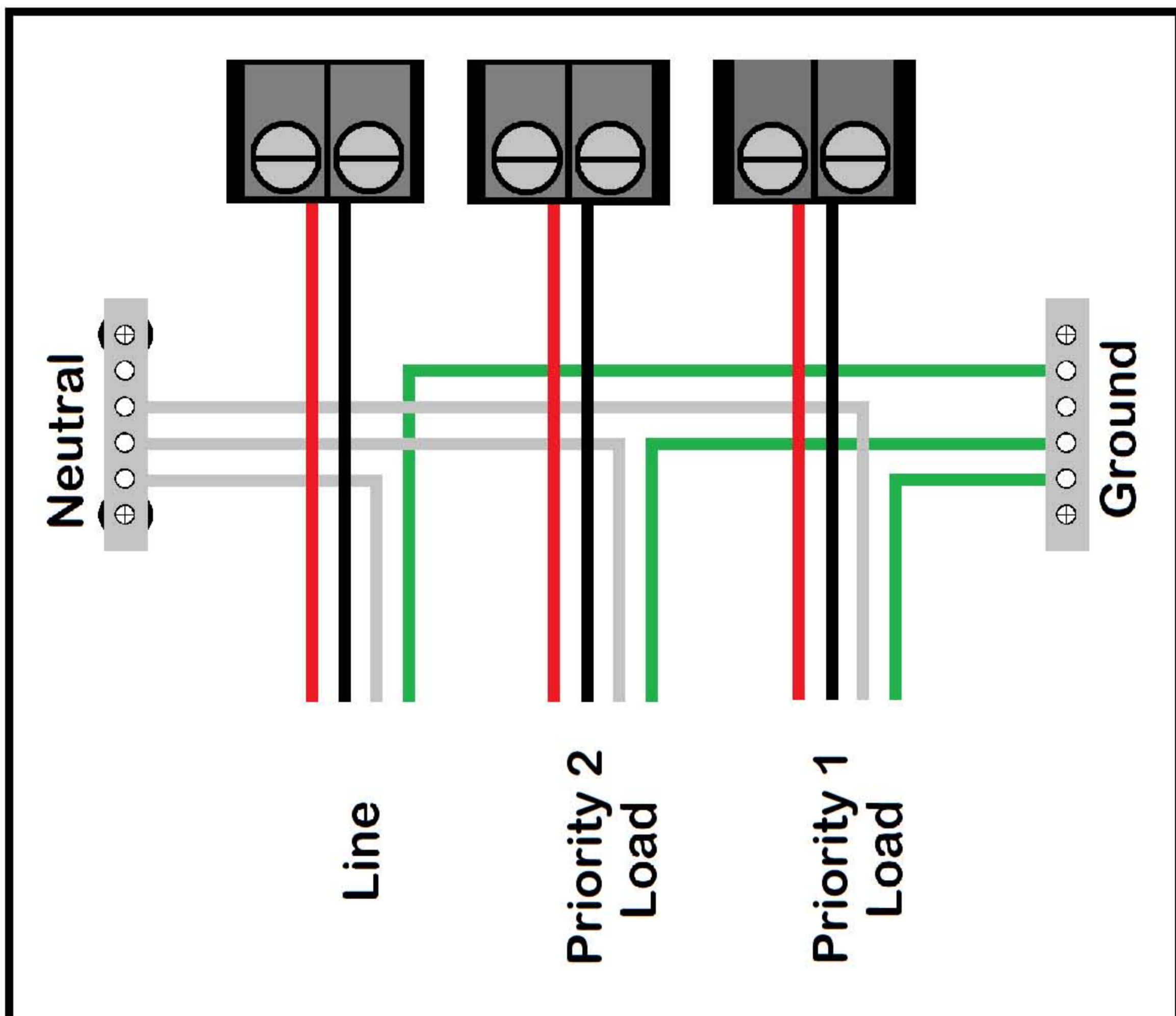
ETL Listed - Intertek 5016194

Model: H-5050ER
Revision: A.001
Volts: 240VAC
Operating Temperature: -40°C to 65°C (-40°F to 149°F)
Amps: 15-50
Temperature:
Hz: 50/60

Termination Specifications		
Wire Size (Cu Stranded)	Torque	Wire Class
2	50 lbsf/in	B, C
4-6	45 lbsf/in	B, C
8	40 lbsf/in	B, C
10-14	35 lbsf/in	B, C



FUSE INFO: 1Amp - 250VAC
Fast Acting - .25" x 1.25" Fuse



Wiring Examples:

